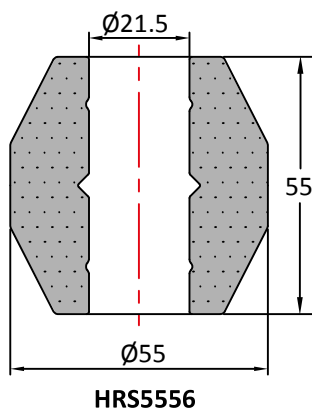
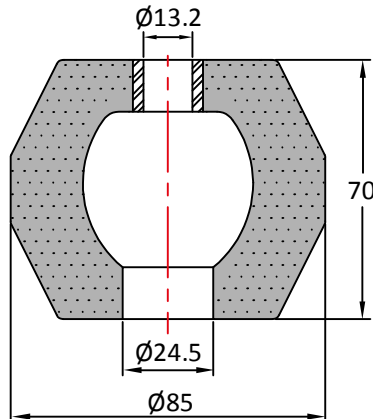


Hollow Rubber Springs

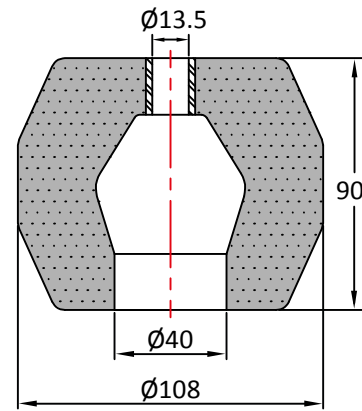
Single Convolution



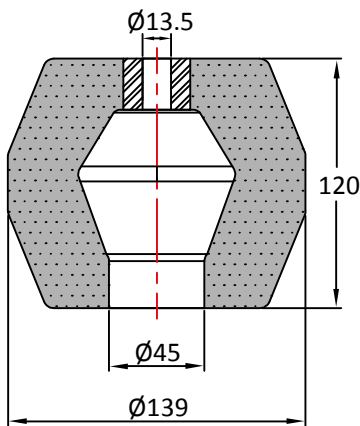
HRS5556



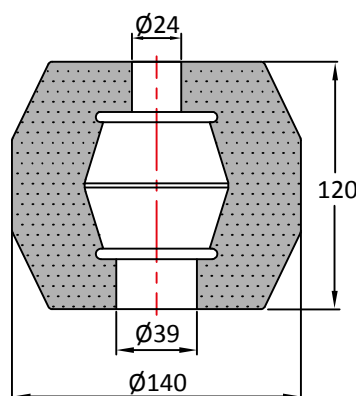
HRS170H



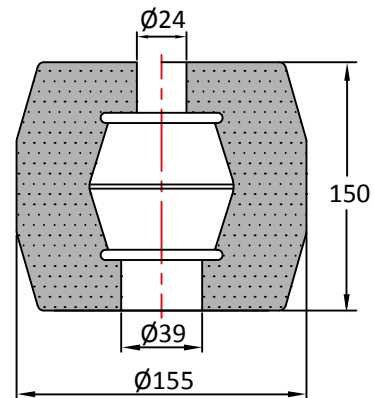
**HRS103B/1
HRS103BH**



**HRS1525M
HRS1525H**



HRS140120



HRS155150

CONSTRUCTION, EARTH MOVING
AND AGRICULTURAL MACHINERY

Part No	Nominal Static Load (Kg) i.e. a Suspension Spring	Max Continuous Static Load (Kg) i.e. as an Assister	Max Load (Kg) Bump / Shock	Deflection at Max Load (mm)
HRS5556	110	300	500	32
HRS170H	250	1,215	1,820	42
HRS103B/1	400	1,370	2,040	48
HRS103BH	500	1,520	2,270	41
HRS1525M	750	3,040	4,540	70
HRS1525H	900	3,040	4,600	63
HRS140120	1,000	4,010	7,000	65
HRS155150	800	2,500	3,500	70

Max compression load in Kg deflection in mm.

This information is for guidance only. Customers are recommended to contact us for further technical information on products and applications.
We reserve the right to alter specifications or withdraw products without notice.