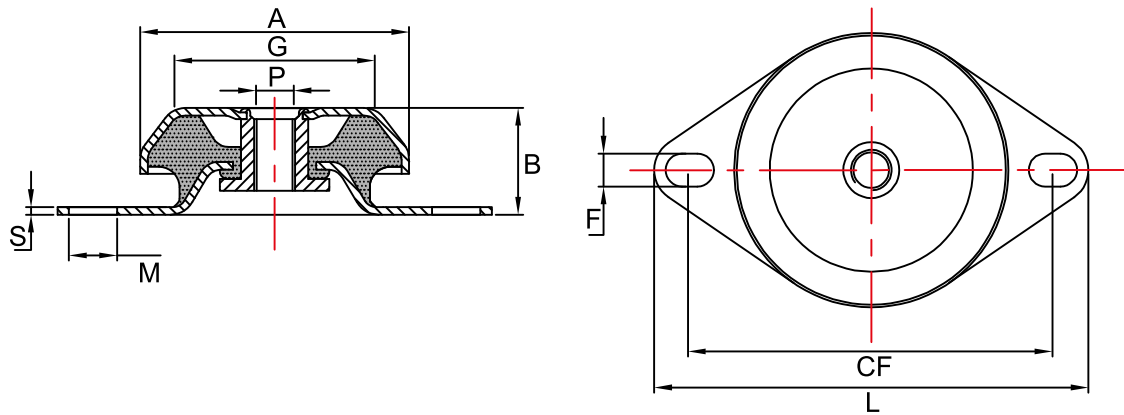


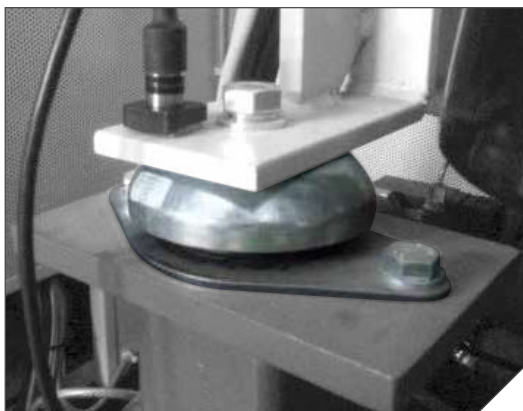
Captive Transit Mounts



FLANGED MOUNTINGS

Part No	A	B	P	F x M	CF	G	L	S
CTM4823	48	23	M6/M8	6.1 \emptyset	68	34	84	2.0
CTM-R*	64	34	M12	9.5 \emptyset	76	47	93	2.5
CTM6335	63	35	M10 / M12	9 x 14	76 - 90	50	110	2.5
CTM6535	65	35	M12	15 x 11	100	45	120	3.0
CTM7730	77	30	M10 / M12	9 \emptyset	108 - 110	60	135	3.0
CTM8335	83	35	M10 / M12	11 \emptyset	108 - 110	65	135	3.0
CTM9245	92	45	M12	10.5 \emptyset	110	73	128	3.0
CTM9335	93	35	M10 / M12	10 \emptyset	122 - 124	70	144	2.5
CTM10638	106	38	M12 / M16	12.5 x 19	138-146	80	171	4.0
CTM10642	106	42	M12 / M16	12.5 x 19	138-146	80	171	4.0
CTM10850	108	50	M16	16.5 \emptyset	160	83	190	5.0
CTM11548	115	48	M16	16 \emptyset	160	85	190	4.0
CTM12142	121	42	M12 / M16	13.5 \emptyset	150 - 163	92	190	4.0
CTM12548	125	48	M16	14 x 11	150 - 163	99	192	4.0
CTM14448	155	48	M16	14 x 11	176-188	120	216	4.0
CTM14453	155	53	M16	14 x 11	176-188	120	216	4.0

*Manufactured from High Damped Rubber compound



Max compression load in Kg deflection in mm.

This information is for guidance only. Customers are recommended to contact us for further technical information on products and applications. We reserve the right to alter specifications or withdraw products without notice.